

PRH4D22HP



FEATURES 特点

- * Excellent solderability and high heat resistance
良好的可焊性和高耐热性

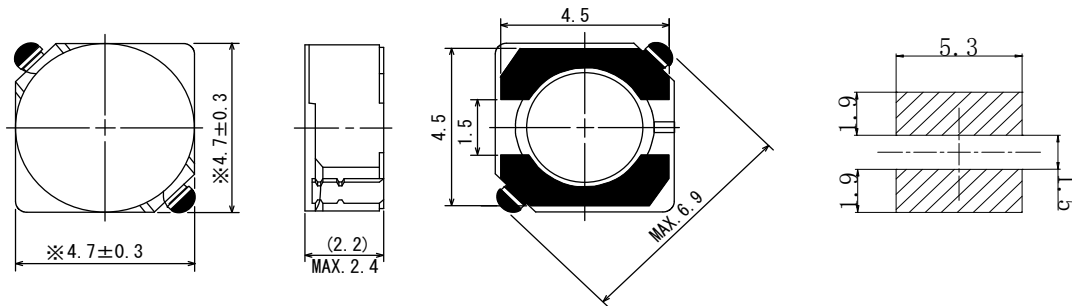
APPLICATION 用途

- * DC / DC 转换器

MEASURING FREQUENCY 测试频率

- * 100KHz 0.3V

Shapes And Dimensions 外形及尺寸示意图



Electrical Characteristics 电气性能

Type 型号	Indicate 表示	Inductance 电感值	D.C.R(Max) 直流电阻(m)	Rated Current(Max) 额定电流(A)
PRH4D2 2HP-1R2	1R2	1.2 μ H \pm 30%	26.5(21.2)	4.20
PRH4D2 2HP-1R5	1R5	1.5 μ H \pm 30%	31.3(25.0)	3.90
PRH4D2 2HP-2R2	2R2	2.2 μ H \pm 30%	44.3(35.4)	3.20
PRH4D2 2HP-2R7	2R7	2.7 μ H \pm 30%	57.8(46.3)	2.80
PRH4D2 2HP-3R5	3R5	3.5 μ H \pm 30%	65.1(52.0)	2.50
PRH4D2 2HP-4R7	4R7	4.7 μ H \pm 30%	82.6(66.0)	2.20
PRH4D2 2HP-5R2	5R2	5.2 μ H \pm 30%	92.8(74.3)	2.00
PRH4D2 2HP-6R3	6R3	6.3 μ H \pm 30%	110(87.9)	1.85
PRH4D2 2HP-8R2	8R2	8.2 μ H \pm 30%	128.3(102.6)	1.65
PRH4D2 2HP-100	100	10 μ H \pm 30%	143.8(115.0)	1.50
PRH4D2 2HP-120	120	12 μ H \pm 30%	187.2(150.0)	1.30
PRH4D2 2HP-150	150	15 μ H \pm 30%	212.9(170.3)	1.20
PRH4D2 2HP-180	180	18 μ H \pm 30%	238.7(191.0)	1.10
PRH4D2 2HP-220	220	22 μ H \pm 30%	267.0(213.6)	1.05
PRH4D2 2HP-270	270	27 μ H \pm 30%	393.9(315.0)	0.90
PRH4D2 2HP-330	330	33 μ H \pm 30%	448.9(359.0)	0.80
PRH4D2 2HP-390	390	39 μ H \pm 30%	667.9(534.3)	0.75
PRH4D2 2HP-470	470	47 μ H \pm 30%	723.3(578.60)	0.70
PRH4D2 2HP-560	560	56 μ H \pm 30%	810.0(648.2)	0.65
PRH4D2 2HP-680	680	68 μ H \pm 30%	913.0(730.4)	0.60
PRH4D2 2HP-820	820	82 μ H \pm 30%	1221(977.0)	0.55
PRH4D2 2HP-101	101	100 μ H \pm 30%	1370(1096)	0.48

* SPQ:2000PCS/REEL

The sample parameters are based on actual measured values